

Complete Selection of Measurement Accessories for the 7340 and 7350 Series of AC Shunts

73401 FORCED AIR CONVECTION UNIT (REFERENCE FIGURE 1)

The 73401 Force Air Convection unit is recommended for 7340 AC Shunts, 25 A and higher current models, and the 7350-0.01Ω model, when the power exceeds 10 Watts. This unit provides excellent heat dissipation and provides for a more stable output due to operation at a lower temperature. A picture of the 73401, as it mounts to the AC Shunt, is shown to the right.



Figure 1

73411 ADAPTER LC MALE TO N FEMALE (REFERENCE FIGURE 2)

Fits both 7340 and 7350 Units.

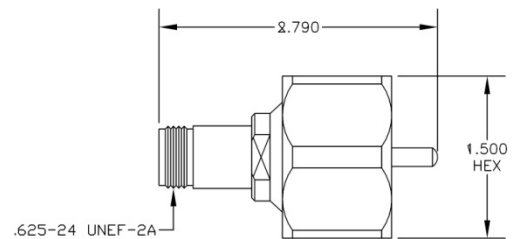


Figure 2

73412 ADAPTER LC MALE TO LC MALE (REFERENCE FIGURE 3)

Fits both 7340 and 7350 Units.

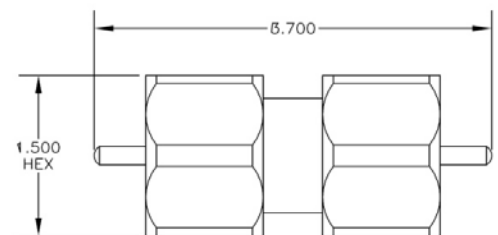


Figure 3

73414 ADAPTER LC FEMALE TO N FEMALE (REFERENCE FIGURE 4)

Fits both 7340 and 7350 Units.

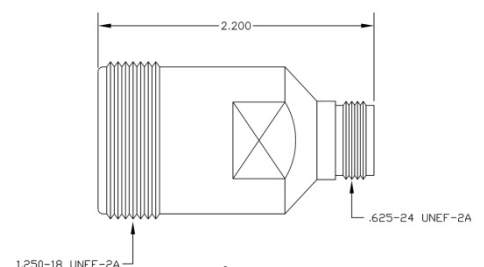


Figure 4

AC Current Accessories

73404A AC BUFFER AMPLIFIER (REFERENCE FIGURE 5)

The 73404A utilizes an internal battery-operated buffer amplifier to separate the input measurement from the output measurement circuit. Specifically, an AC buffer amplifier is employed alongside an AC/DC shunt in current measurement scenarios. This configuration enables low current measurements at optimal voltage levels while mitigating the impact of the measurement device's input impedance. By connecting the output voltage of the AC/DC shunt to the input of the AC buffer amplifier and subsequently linking the buffer amplifier's output to the measuring device, the AC/DC shunt is effectively isolated from the measurement device, thus preventing the loading effect and ensuring impedance matching between the shunt and the measurement equipment.

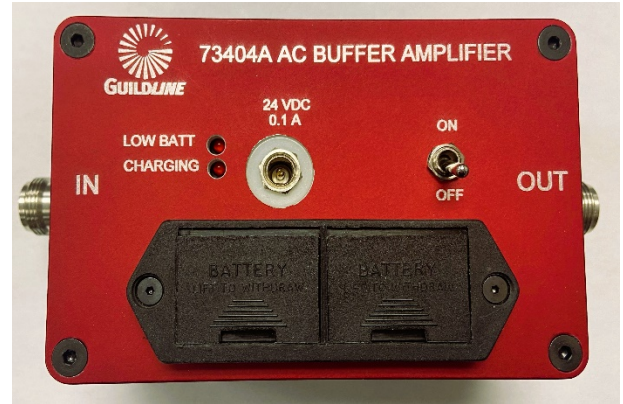


Figure 5

Battery charger specifications: AC/DC 24V Adapter
 Battery specifications: Rechargeable 9.6 Volt NiMH
 Battery technology: Nickel-Metal Hydride (NiMH)
 Number of batteries required: 2
 Typical battery capacity: 230 mAh

- Always connect the Battery Charger / Power Adapter to the AC outlet before connecting it to the shunt. When replacing the batteries, ensure they are inserted with the correct polarity.
- Use only the battery charger provided to charge the 1 mA active shunt.
- Use only Nickel Metal Hydride (NiMH) batteries for the AC buffer amplifier
- The batteries in the buffer amplifier are always connected to the charging socket, even when the buffer amplifier is turned off.

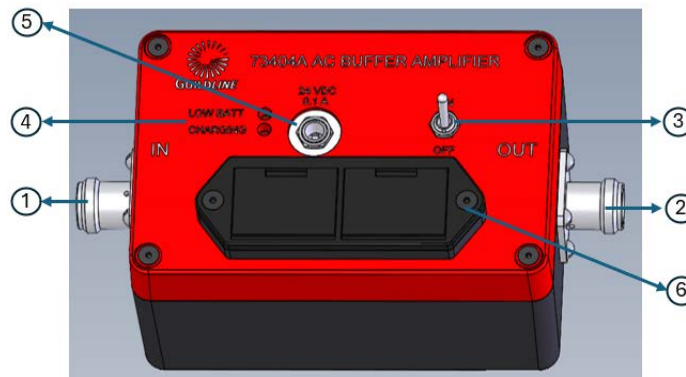


Figure 6

Item	Features	Description
1	Input Connector	N-type female connector for input voltage.
2	Output Connector	N-type female connector for output voltage.
3	Amplifier on/off switch	Switches power for the buffer amplifier ON/OFF.
4	LED indicators	Red charging light indicates the buffer amplifier is on charge. Red low battery light indicated the buffer amplifier has low battery.
5	Battery charger connector	Connector for the external battery charger.
6	Battery Holder	External battery holder for 9.6 Volt battery.

73413 ADAPTER LC TO CABLE (REFERENCE FIGURE 7)

Allows for connection of bare wire and spade lugs for AC Measurements. Fits both 7340 and 7350 Units.

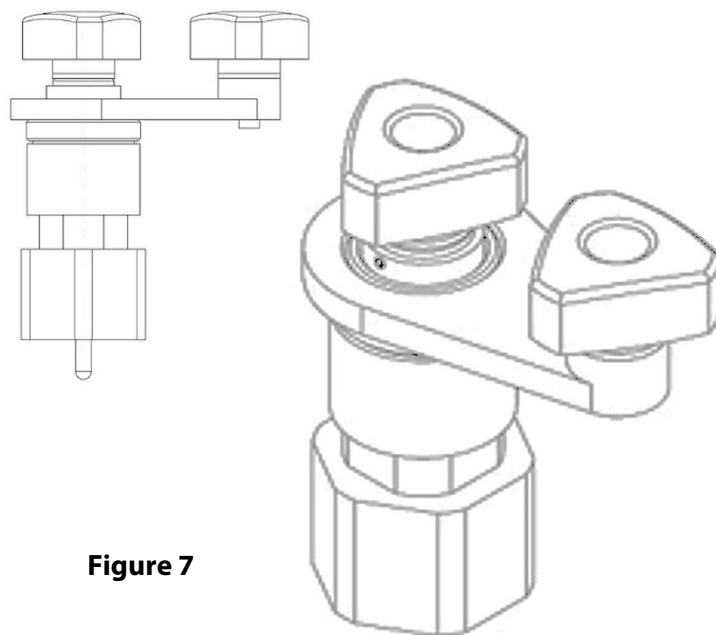


Figure 7

73502-30 Serial Connection Adaptor (UHF 30A) (REFERENCE FIGURE 8)

This adaptor allows for reference measurements using two shunts. The 30 A Adaptor allows for connection of reference shunt and test shunt to a Source unit. Maximum current is 30 Amperes with maximum frequency of 100 kHz. Fits both 7340 and 7350 Units.

Note that the '-F' with female connectors is shown. Can also be ordered with a '-M' model with male connectors.

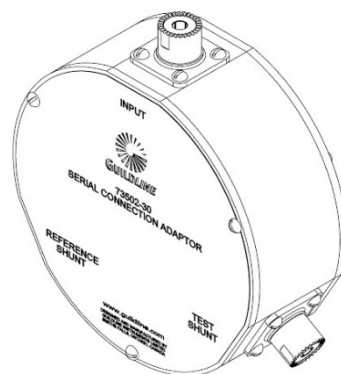


Figure 8

73502-100 Serial Connection Adaptor (UHF 30A) (REFERENCE FIGURE 9)

The 100 Ampere Adaptor allows for connection of reference shunt and test shunt to a Source (Input) unit. This adaptor allows for reference measurements using two shunts. Maximum current is 100 Amperes with maximum frequency of 100 kHz. Fits 7340 model only.

Note that the '-F' with female connectors is shown. Can also be ordered with a '-M' model with male connectors.

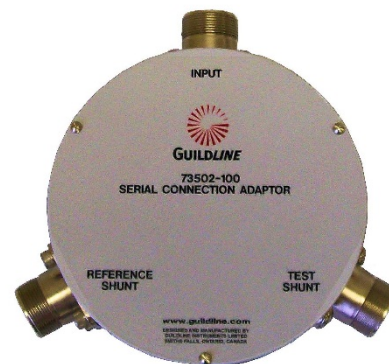


Figure 9

AC Current Accessories

73503 Adaptor Kit (REFERENCE FIGURE 10)

Provides the following listed cables and adapters for both models 7340 and 7350. Kit includes hard storage case.

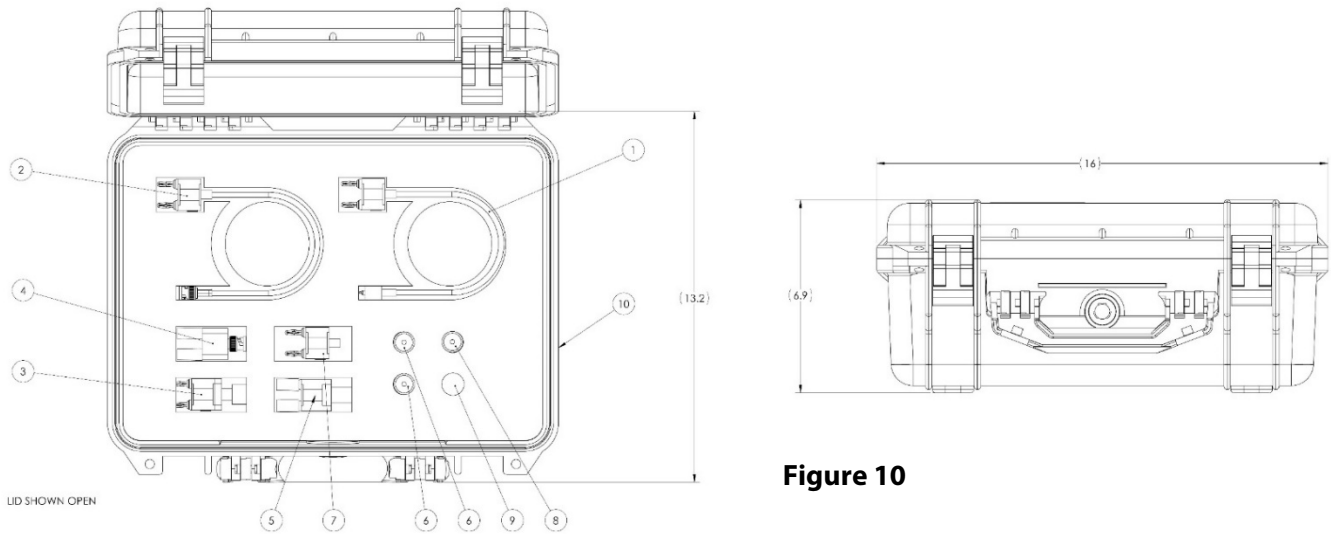


Figure 10

73503 ADAPTOR KIT PARTS LISTING

Reference	QTY	Description
1	1	Cable Assembly, UHF Male to Double Banana Plug
2	1	Cable Assembly, BNC Male to Double Banana Plug
3	1	UHF Male to Banana Plug
4	1	UHF Male to Binding Post
5	1	UHF Female to Binding Post
6	2	Adapter, Plug to Plug
7	1	Female BNC to Dual Banana Plug
8	1	BNC Jack to UHF Plug
9	1	UHF Female to N Male
10	1	Case, Storage

ORDERING INFORMATION

73401	Forced Air Convection Unit (Fits 7340 and 7350 Models)
73404	AC Buffer Amplifier (Fits 7340 and 7350 Models)
73411	73411 Adapter LC Male to N Female (Fits 7340 and 7350 Models)
73412	73412 Adapter LC Male to LC Male (Fits 7340 and 7350 Models)
73413	73413 Adapter LC to Cable (Fits 7340 and 7350 Models)
73414	73414 Adapter LC Female to N Female (Fits 7340 and 7350 Models)
73502-30	Serial Connection Adaptor (UHF 30 A) (Fits 7340 and 7350 Models) (Define '- M' or '- F' for male or female connectors)
73502-100	Serial Connection Adaptor (UHF 100 A) (7340-100 A Model only) (Define '- M' or '- F' for male or female connectors)
73503	Adaptor Kit (Fits 7340 and 7350 Models)

GUILDLINE IS DISTRIBUTED BY:

Guildline Instruments Limited

21 Gilroy Street, PO Box 99

Smiths Falls, Ontario, Canada, K7A 4S9

Phone: (613) 283-3000 ■ Fax: (613) 283-6082

Web: www.guildline.com

Email: sales@guildline.com

30810-02-85 Rev.C . Copyright © 2024.05.10 Guildline Instruments Limited. All rights reserved. Subject to change without notice.