

Complete Selection of Measurement Accessories for the 7340 and 7350 Series of AC Shunts

73401 FORCED AIR CONVECTION UNIT (REFERENCE FIGURE 1)

The 73401 Force Air Convection unit is recommended for 7340 AC Shunts, 25 A and higher current models, and the 7350-0.01Ω model, when the power exceeds 10 Watts. This unit provides excellent heat dissipation and provides for a more stable output due to operation at a lower temperature. A picture of the 73401, as it mounts to the AC Shunt, is shown to the right.

Figure 1



73404 AC BUFFER AMPLIFIER (REFERENCE FIGURE 2)

Used with both 7340 and 7350 units for low current amplification.

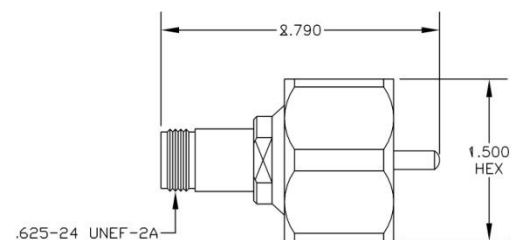
Figure 2



73411 ADAPTER LC MALE TO N FEMALE (REFERENCE FIGURE 3)

Fits both 7340 and 7350 Units.

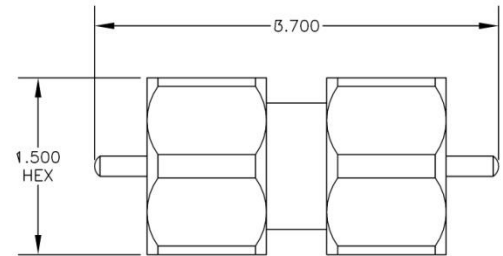
Figure 3



73412 ADAPTER LC MALE TO LC MALE (REFERENCE FIGURE 4)

Fits both 7340 and 7350 Units.

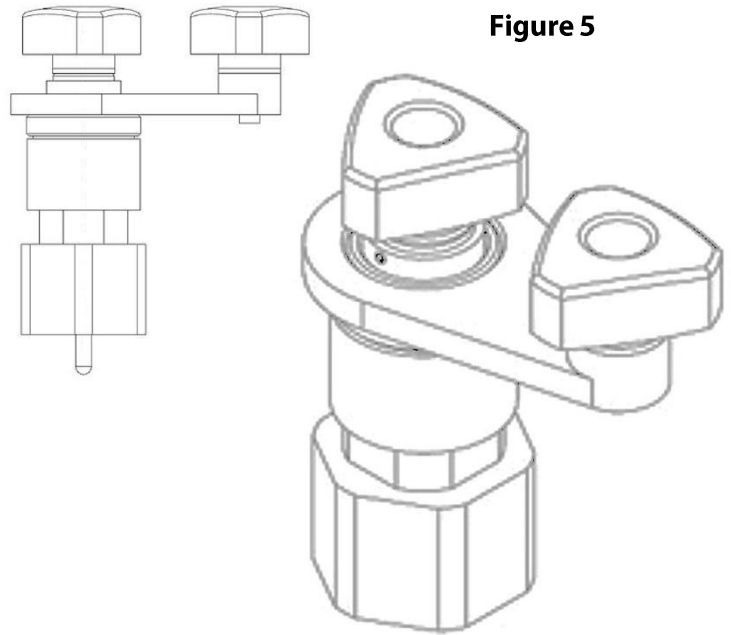
Figure 4



73413 ADAPTER LC TO CABLE (REFERENCE FIGURE 5)

Allows for connection of bare wire and spade lugs for AC Measurements. Fits both 7340 and 7350 Units.

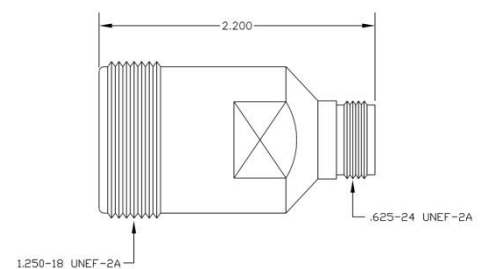
Figure 5



73414 ADAPTER LC FEMALE TO N FEMALE (REFERENCE FIGURE 6)

Fits both 7340 and 7350 Units.

Figure 6

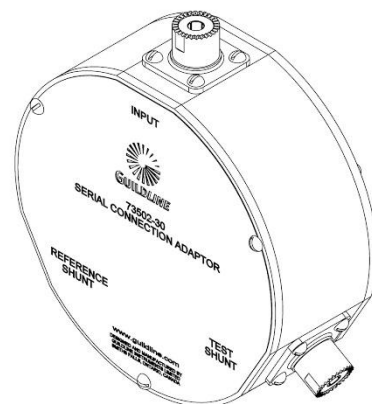


73502-30 Serial Connection Adaptor (UHF 30A) (REFERENCE FIGURE 7)

This adaptor allows for reference measurements using two shunts. The 30 A Adapter allows for connection of reference shunt and test shunt to a Source unit. Maximum current is 30 Amperes with maximum frequency of 100 kHz. Fits both 7340 and 7350 Units.

Note that the '-F' with female connectors is shown. Can also be ordered with a '-M' model with male connectors.

Figure 7



73502-100 Serial Connection Adaptor (UHF 30A) (REFERENCE FIGURE 8)

The 100 Ampere Adapter allows for connection of reference shunt and test shunt to a Source (Input) unit. This adaptor allows for reference measurements using two shunts. Maximum current is 100 Amperes with maximum frequency of 100 kHz. Fits 7340 model only.

Note that the '-F' with female connectors is shown. Can also be ordered with a '-M' model with male connectors.

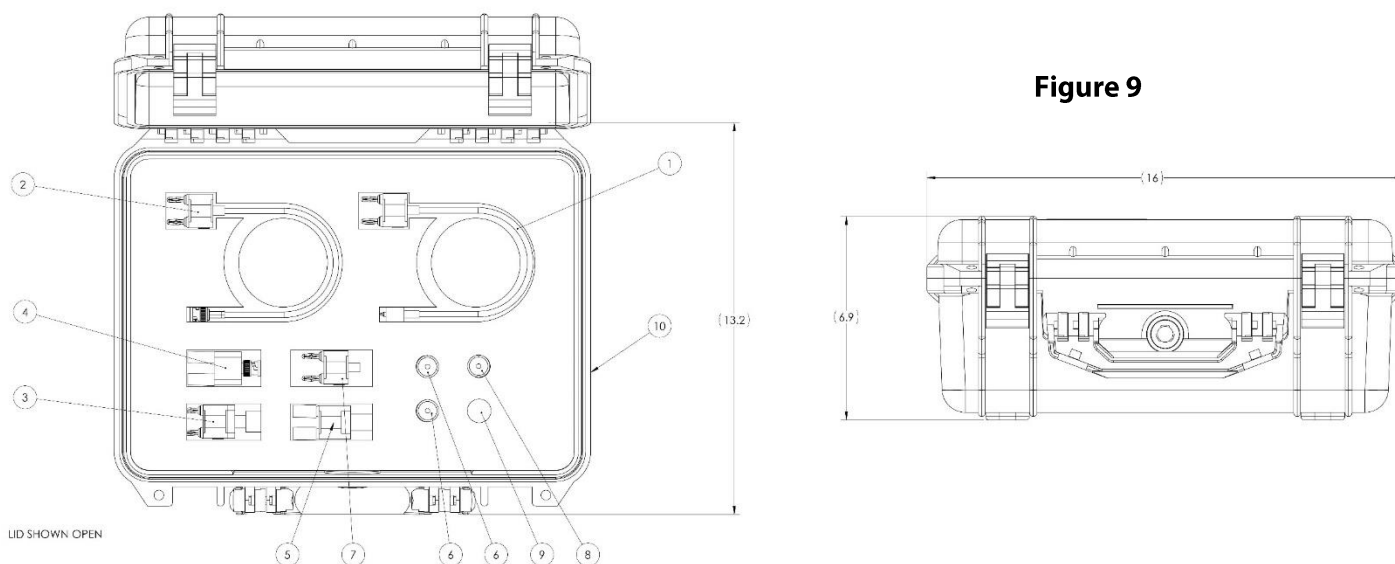
Figure 8



73503 Adaptor Kit (REFERENCE FIGURE 9)

Provides the following listed cables and adapters for both models 7340 and 7350. Kit includes hard storage case.

Figure 9



73503 Adaptor Kit (REFERENCE FIGURE 9) (CONTINUED)

Provides the following listed cables and adapters for both models 7340 and 7350. Kit includes hard storage case.

73503 ADAPTOR KIT PARTS LISTING		
Reference	QTY	Description
1	1	Cable Assembly, UHF Male to Double Banana Plug
2	1	Cable Assembly, BNC Male to Double Banana Plug
3	1	UHF Male to Banana Plug
4	1	UHF Male to Binding Post
5	1	UHF Female to Binding Post
6	2	Adapter, Plug to Plug
7	1	Female BNC to Dual Banana Plug
8	1	BNC Jack to UHF Plug
9	1	UHF Female to N Male
10	1	Case, Storage

ORDERING INFORMATION

73401	Forced Air Convection Unit (Fits 7340 and 7350 Models)
73404	AC Buffer Amplifier (Fits 7340 and 7350 Models)
73411	73411 Adapter LC Male to N Female (Fits 7340 and 7350 Models)
73412	73412 Adapter LC Male to LC Male (Fits 7340 and 7350 Models)
73413	73413 Adapter LC to Cable (Fits 7340 and 7350 Models)
73414	73414 Adapter LC Female to N Female (Fits 7340 and 7350 Models)
73502-30	Serial Connection Adaptor (UHF 30 A) (Fits 7340 and 7350 Models) (Define '- M' or '- F' for male or female connectors)
73502-100	Serial Connection Adaptor (UHF 100 A) (7340-100 A Model only) (Define '- M' or '- F' for male or female connectors)
73503	Adaptor Kit (Fits 7340 and 7350 Models)

GUILDLINE IS DISTRIBUTED BY:

Guildline Instruments Limited
 21 Gilroy Street, PO Box 99
 Smiths Falls, Ontario, Canada, K7A 4S9
 Phone: (613) 283-3000 ■ Fax: (613) 283-6082

Web: www.guildline.com

Email: sales@guildline.com

30810-02-85 Rev.B . Copyright © 2019.02.04 Guildline Instruments Limited. All rights reserved. Subject to change without notice.